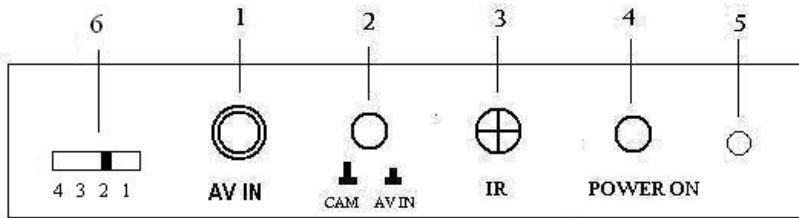


* DRM CONTROL BOX

DRM RECEIVER

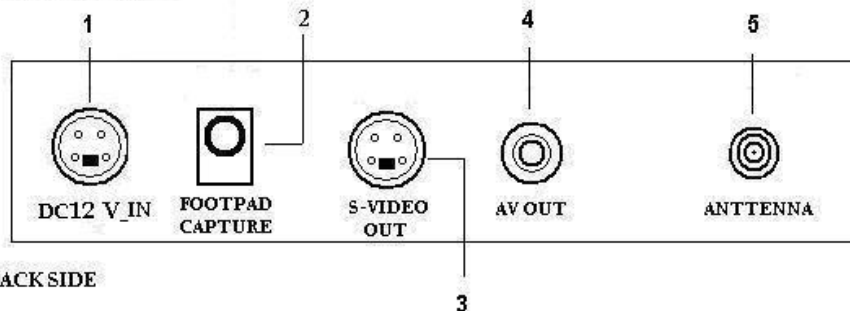


FRONT SIDE

DESCRIPTION :

- 1 CONNECTOR FOR INPUT COMPOSITE VIDEO SIGNAL
- 2 BUTTON TO SWITCH BETWEEN INTRAORAL CAMERA MODE (CAM) AND OTHER COMPOSITE VIDEO INPUT MODE (WIRED DHP INTRAORAL CAMERA)
- 3 THE RECEIVER OF INFRARED REMOTE CONTROL
- 4 POWER BUTTON TO ACTIVATE DRM RECEIVER UNIT
- 5 LED INDICATOR FOR POWER ACTIVATION
WHEN POWER BUTTON PRESSED,LED INDICATOR WILL LIGHT
- 6 CHANNEL SELECTION

DRM RECEIVER



BACK SIDE

DESCRIPTION :

- 1 DC JACK FOR 12 V POWER ADAPTER CONNECTION
- 2 JACK FOR FOOTPAD CONTROL CONNECTION
- 3 CONNECTOR FOR S-VIDEO OUTPUT SIGNAL
- 4 CONNECTOR FOR AV/COMPOSITE OUTPUT SIGNAL
- 5 CONNECTOR FOR WIRELESS ANTENNA RECEIVER

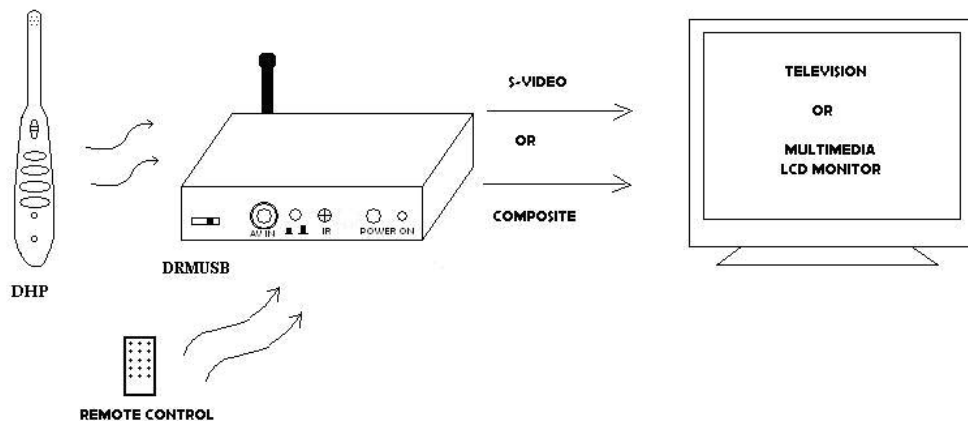
* REMOTE CONTROL



- /田** : button for select full page image or quad images.
- Freeze** : button for capturing images (same function with footpad capture or capture button on handpiece).
- Recall** : button for recalling the captured images. After pressing this button, the screen will appear previous captured images start from page 1.
- Up & Down** : after pressed recall button, press up or down button to get the expected image and press the recall button once again to get the live image.
- DELETE** : button for delete images.
- BRIGHTNESS** : Adjust the brightness of images
- Color** : Adjust the color of images.
- Hue** : Adjust the hue of images.

All the red buttons are initial value, (+) for increase and (-) for decrease value of settings.

a. PRODUCT INSTALLATION



- * Refer to picture above, user can make choice whether use composite or S-Video install DRM (wireless control box).

V. FAQ

- * Q : Why after pressed the power button,LED power indicator of unit doesn't light?
A : Please check whether the adaptor cable is connect properly.
- * Q : Why the image didn't appear on screen.
A : - Please check whether the output of DRM connect properly to the screen.
- Be sure that DRM is in CAM mode not AV in mode.
- * Q : Why the remote control didn't act properly?
A : Please check the battery of remote control.
- * Q : Why in the quad type ,the image cannot memorized.
A : All the quad frame must be filled and then press the capture button once again to save them into memory.
- * Q : Why a lot of interference exist on the screen ?
A : - Please adjust the position of antenna receiver for DRM.
- Please turn off and turn on again DHP and DRM.